

BGM VOLTAGE REGULATOR – 4-plug AC/DC

Thank you for purchasing our bgm Pro regulator. For full customer support, please find included these fitting instructions. To show the basic principle we have chosen some common electrical setups and included the wiring diagrams.

APPLICATIONS

The bgm Pro regulator is the most versatile and powerful on the market. Thanks to AC and DC output it can be used for all Lambretta and Vespa scooters equipped with 12 V electronic ignitions. Additionally it can be used as a high quality replacement for most common Twist & Go scooters. To ease up your life in the workshop the connections of the regulator are shown at the back.

FEATURES

AC-AC (alternating current): IN for the current delivery of the stator plate and OUT for the regulated AC current for the wiring loom.

Sense: To use the regulator the AC IN and OUT has to be bridged. The special wiring loom is included in the delivery of every bgm Pro regulator. This so-called SENSE function checks the power OUT against a reference value and keeps it stable. So the power output is constant even with alternating load.

DC (direct current): OUT with DC for charging the battery. With ignition systems capable of high power output, consumers can be fed directly without a battery used (e.g. Satnav systems, water pumps, rev counters, speedos and all sort of other toys).

Earth: Can be taken easily from the old existing regulator. If there wasn't an earth connection, you should install one. Use the earth out of the regulator and connect it to the frame of the scooter. Make sure this is fitted to a bare metal part of the frame. Ideally you should additionally wire the earth to the body of the regulator as well.

On the next pages you'll find wiring diagrams for the most common setups. These examples show the basic principle and can be helpful to see how to connect it to any other scooter.

Lambretta

- To our own bgm PRO wiring looms
- MB Developments loom
- Casa Lambretta loom
- Original type AC loom with 12 V electronic ignition
- Original type DC loom with 12 V electronic ignition
- Varitronic/Casa Lambretta

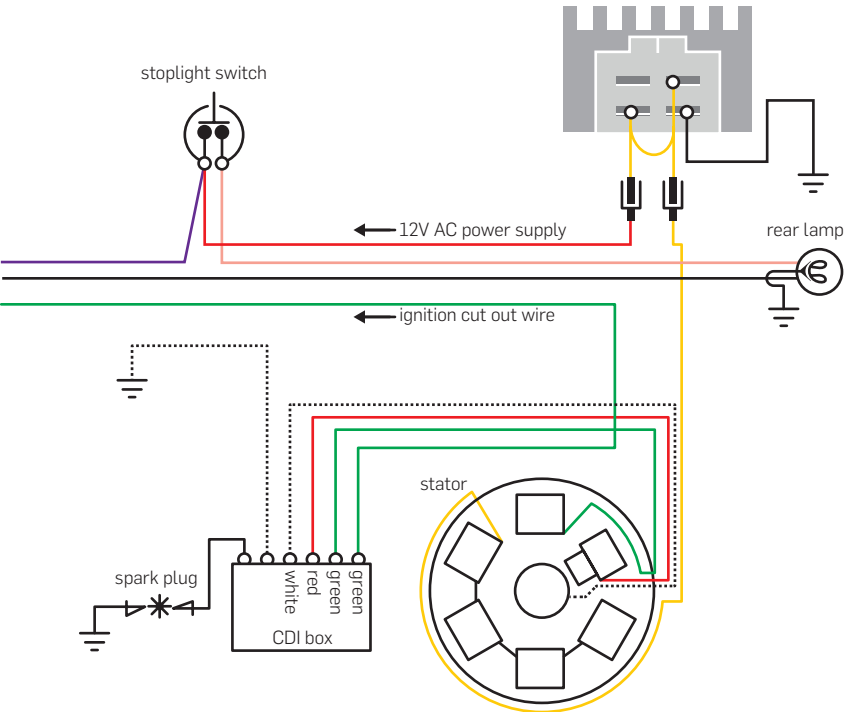
Vespa

- Vespatronic/Parmakit
- Vespa 3-Pin regulator
- Vespa 5-Pin regulator

For questions or general technical support contact info@bgm-tuning.com

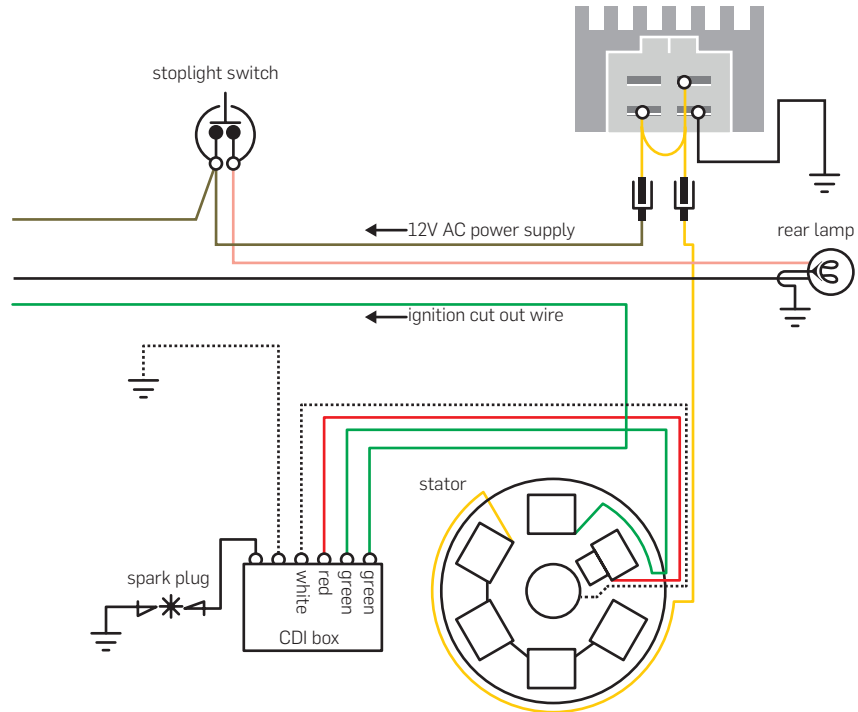


LAMBRETTA
MB DEVELOPMENTS LOOM



for reference: Sticky page 280

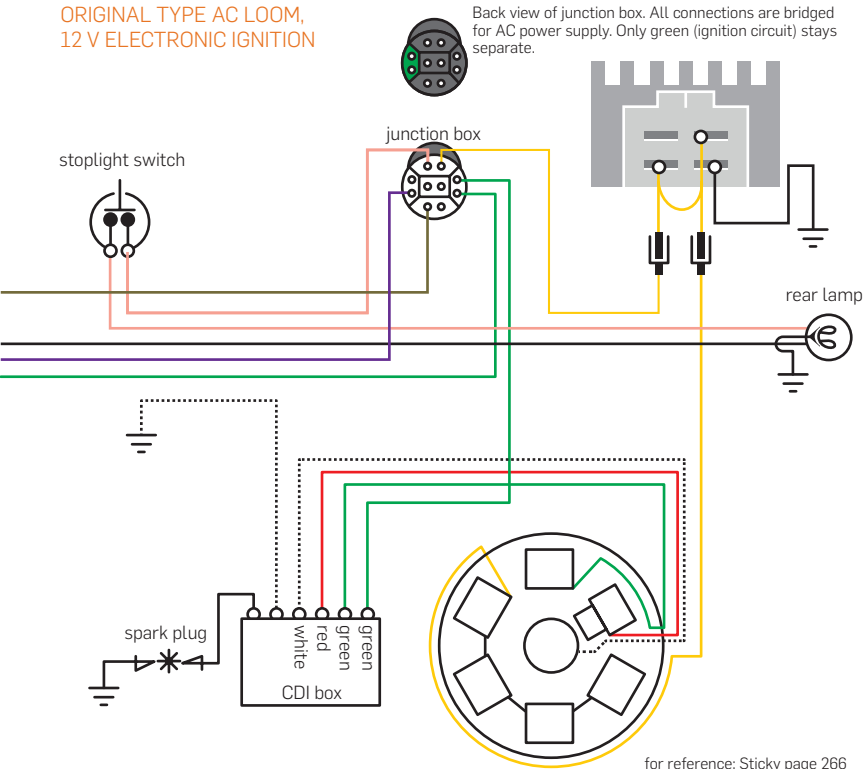
LAMBRETTA
CASA LAMBRETTA LOOM + BGM PRO LOOM



for reference: Sticky page 281

LAMBRETTA

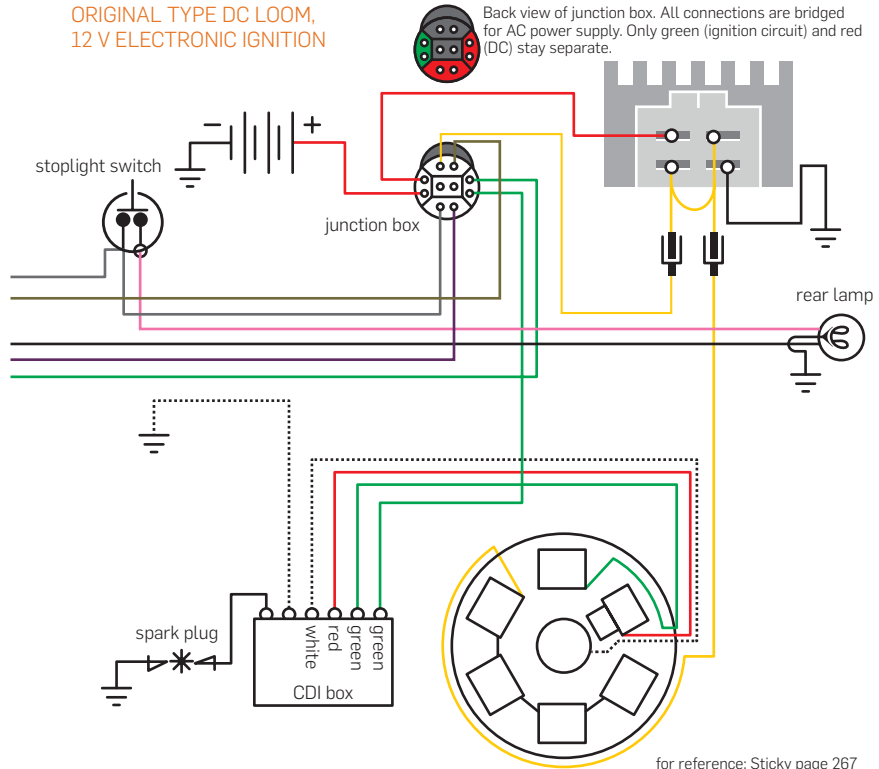
ORIGINAL TYPE AC LOOM, 12 V ELECTRONIC IGNITION



for reference: Sticky page 266

LAMBRETTA

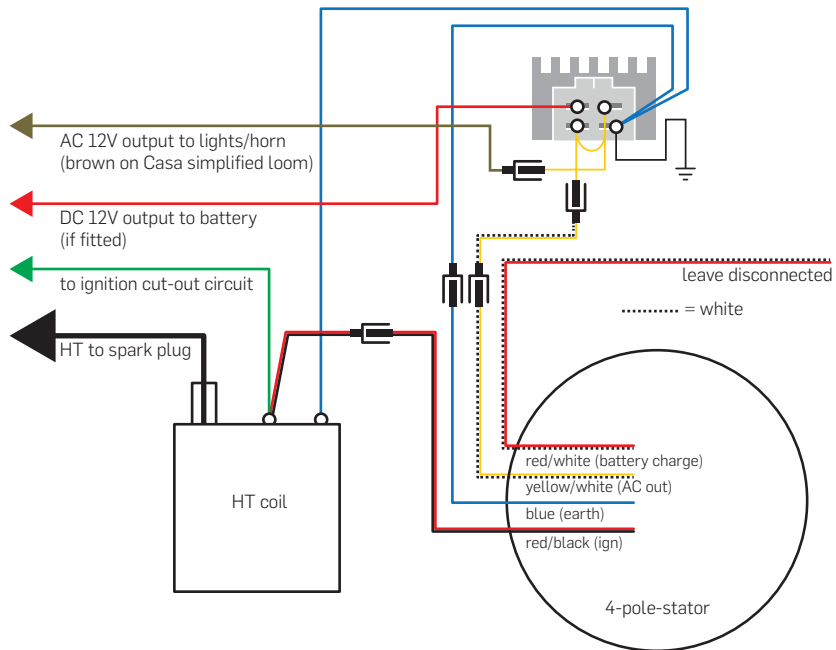
ORIGINAL TYPE DC LOOM, 12 V ELECTRONIC IGNITION



for reference: Sticky page 267

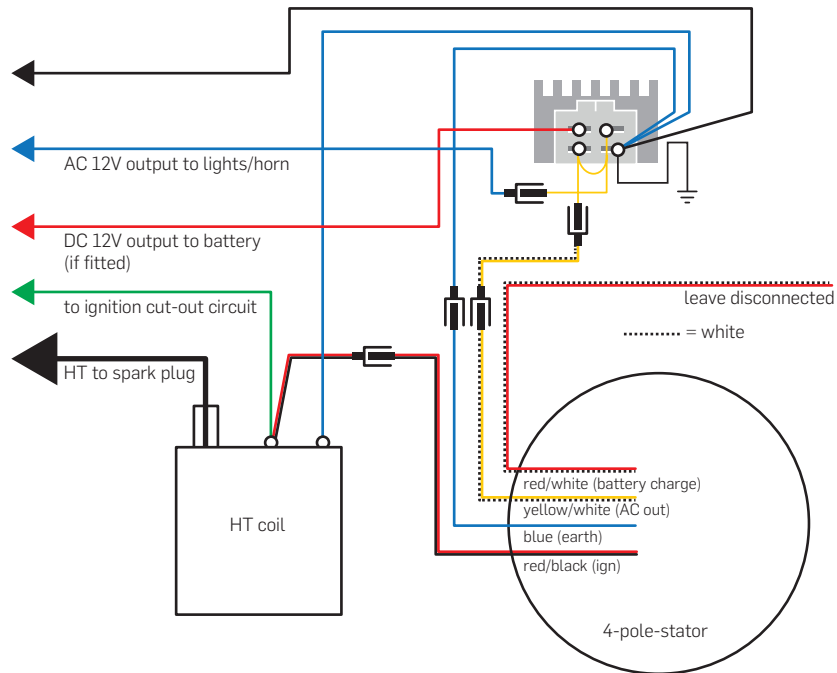
LAMBRETTA

VARITRONIC/CASA LAMBRETTA



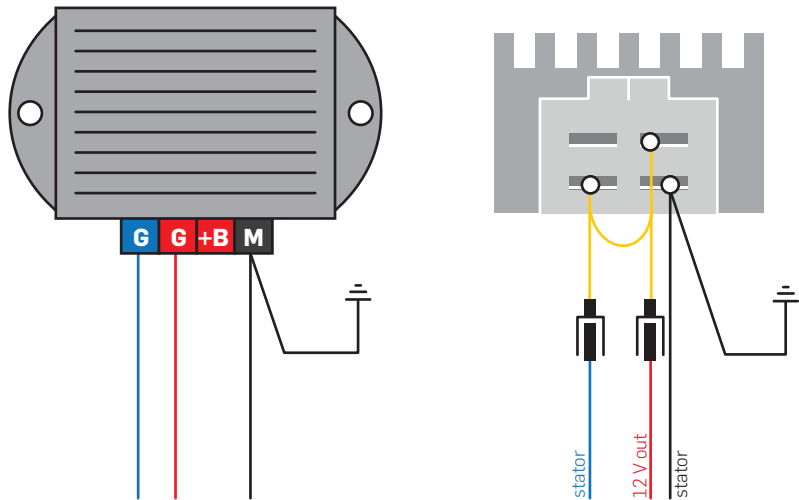
LAMBRETTA

VESPATRONIC/PARMAKIT



VESPA

VESPA 3-PIN REGULATOR



VESPA

VESPA 5-PIN REGULATOR

